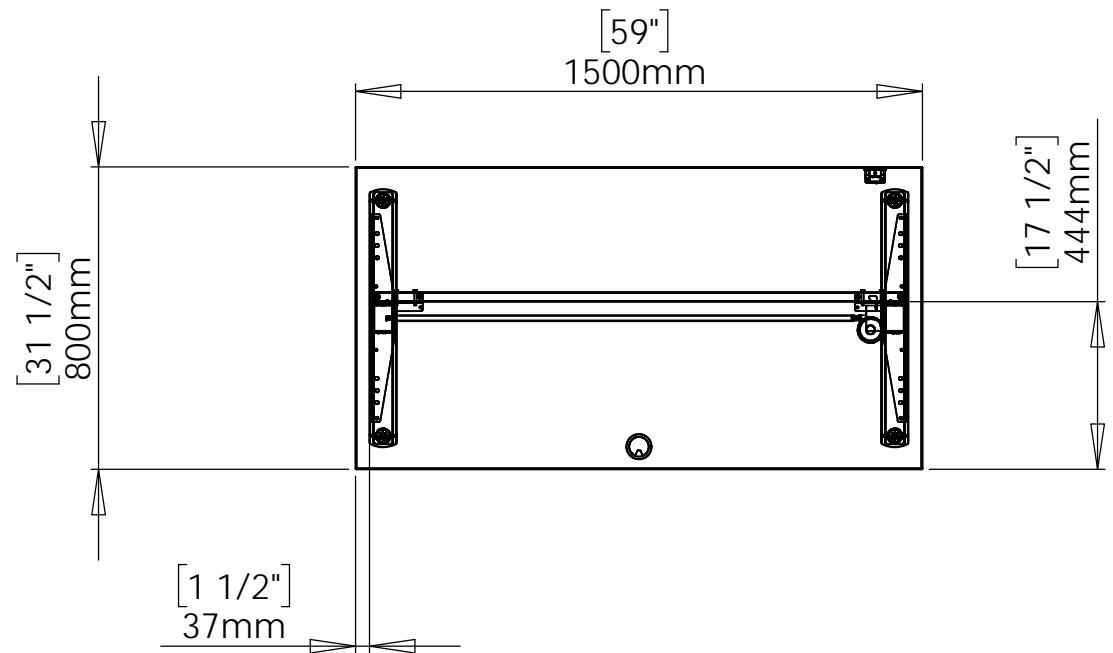
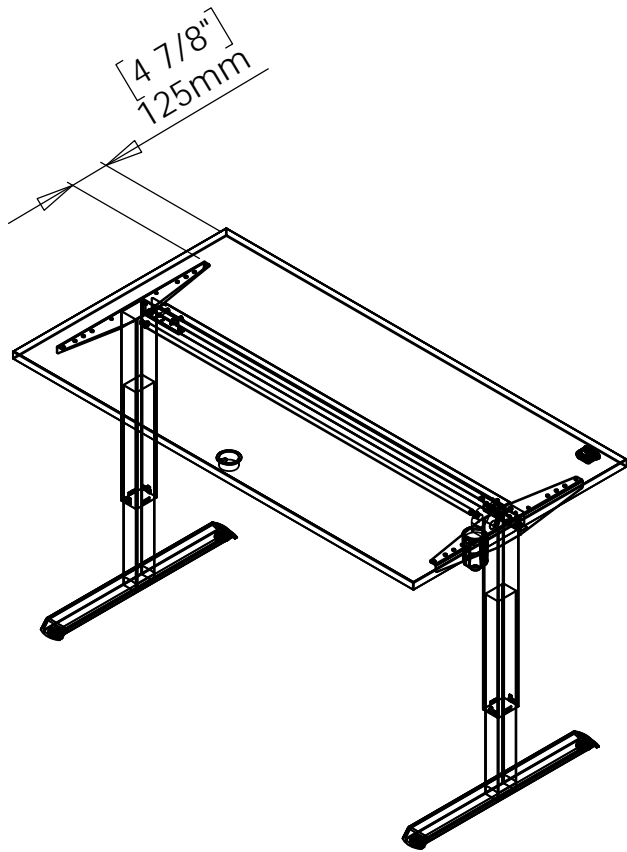

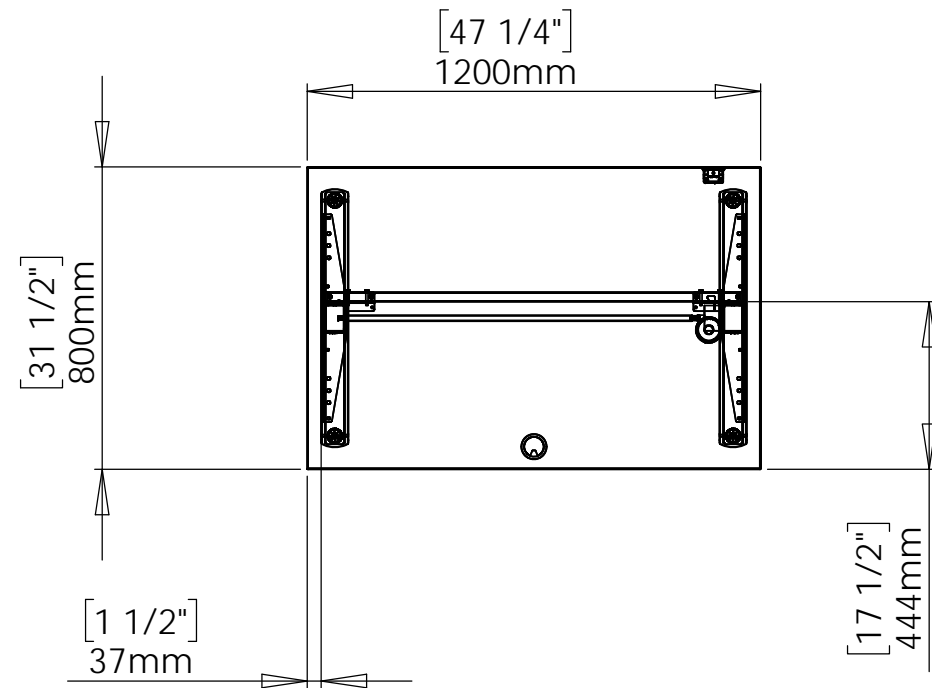
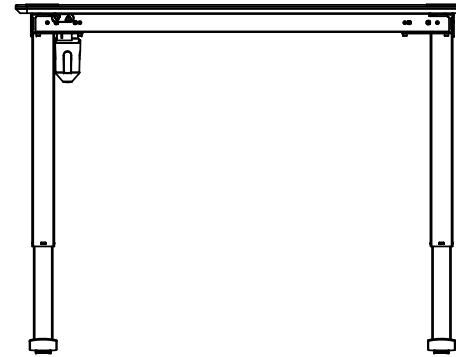
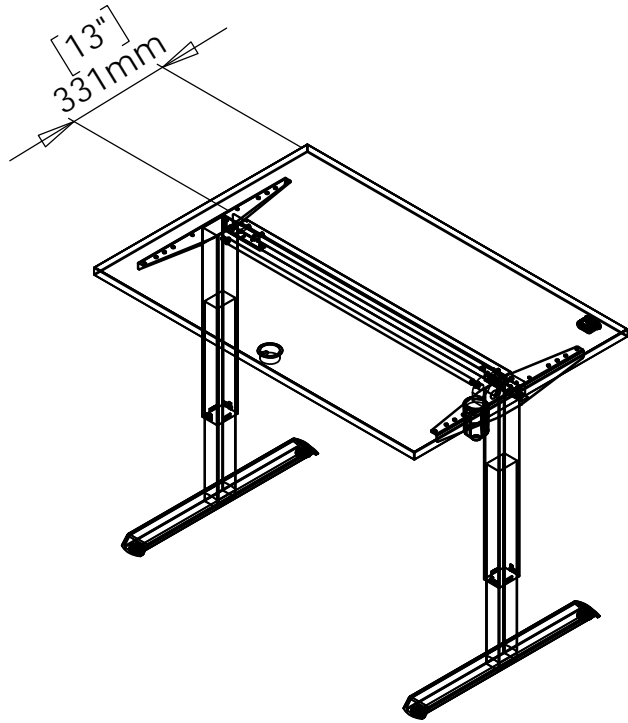



DO NOT SCALE DRAWING SHEET 1 OF 3		WEIGHT:				<b>ConSet A/S</b> <small>Industrivej 23 DK-6900 Skjern Denmark <a href="http://www.conset.com">www.conset.com</a></small>	
UNLESS OTHERWISE SPECIFIED: DIMENSIONS ARE IN MILLIMETERS TOLERANCES: LINEAR: According to ANGULAR: DIN 7168-m						TITLE:	
		PROPRIETARY AND CONFIDENTIAL THE INFORMATION CONTAINED IN THIS DRAWING IS THE SOLE PROPERTY OF CONSET A/S. ANY REPRODUCTION IN PART OR AS A WHOLE WITHOUT THE WRITTEN PERMISSION OF CONSET A/S IS PROHIBITED.		Processes:  Remarks:		Top mounting guide 501-33 XX172 180-80S3 XX	
		DRAWN: AL CHECKED:		DATE: 01.03.2021		DWG NO. 154630	
						REVISION 0	



DO NOT SCALE DRAWING SHEET 2 OF 3	WEIGHT:		 <b>ConSet A/S</b> <small>Industrivej 23          DK-6900 Skjern          Denmark  <a href="http://www.conset.com">www.conset.com</a></small>
UNLESS OTHERWISE SPECIFIED: DIMENSIONS ARE IN MILLIMETERS TOLERANCES: LINEAR: According to ANGULAR: DIN 7168-m	NAME AL	DATE 01.03.2021	TITLE: Top mounting guide 501-33 XX142 150-80S3 XX
<b>PROPRIETARY AND CONFIDENTIAL</b> THE INFORMATION CONTAINED IN THIS DRAWING IS THE SOLE PROPERTY OF CONSET A/S. ANY REPRODUCTION IN PART OR AS A WHOLE WITHOUT THE WRITTEN PERMISSION OF CONSET A/S IS PROHIBITED.	Processes:  Remarks:		DWG NO. <b>154630</b> REVISION <b>0</b>



DO NOT SCALE DRAWING SHEET 3 OF 3	WEIGHT:		 <b>ConSet A/S</b> Industrivej 23 DK-6900 Skjern Denmark <a href="http://www.conset.com">www.conset.com</a>
UNLESS OTHERWISE SPECIFIED: DIMENSIONS ARE IN MILLIMETERS TOLERANCES: LINEAR: According to ANGULAR: DIN 7168-m	DRAWN	NAME AL	
<b>PROPRIETARY AND CONFIDENTIAL</b> THE INFORMATION CONTAINED IN THIS DRAWING IS THE SOLE PROPERTY OF CONSET A/S. ANY REPRODUCTION IN PART OR AS A WHOLE WITHOUT THE WRITTEN PERMISSION OF CONSET A/S IS PROHIBITED.	Processes:		TITLE: <b>Top Mounting guide</b> <b>501-33 XX112 120-80S3 XX</b>
	Remarks:		