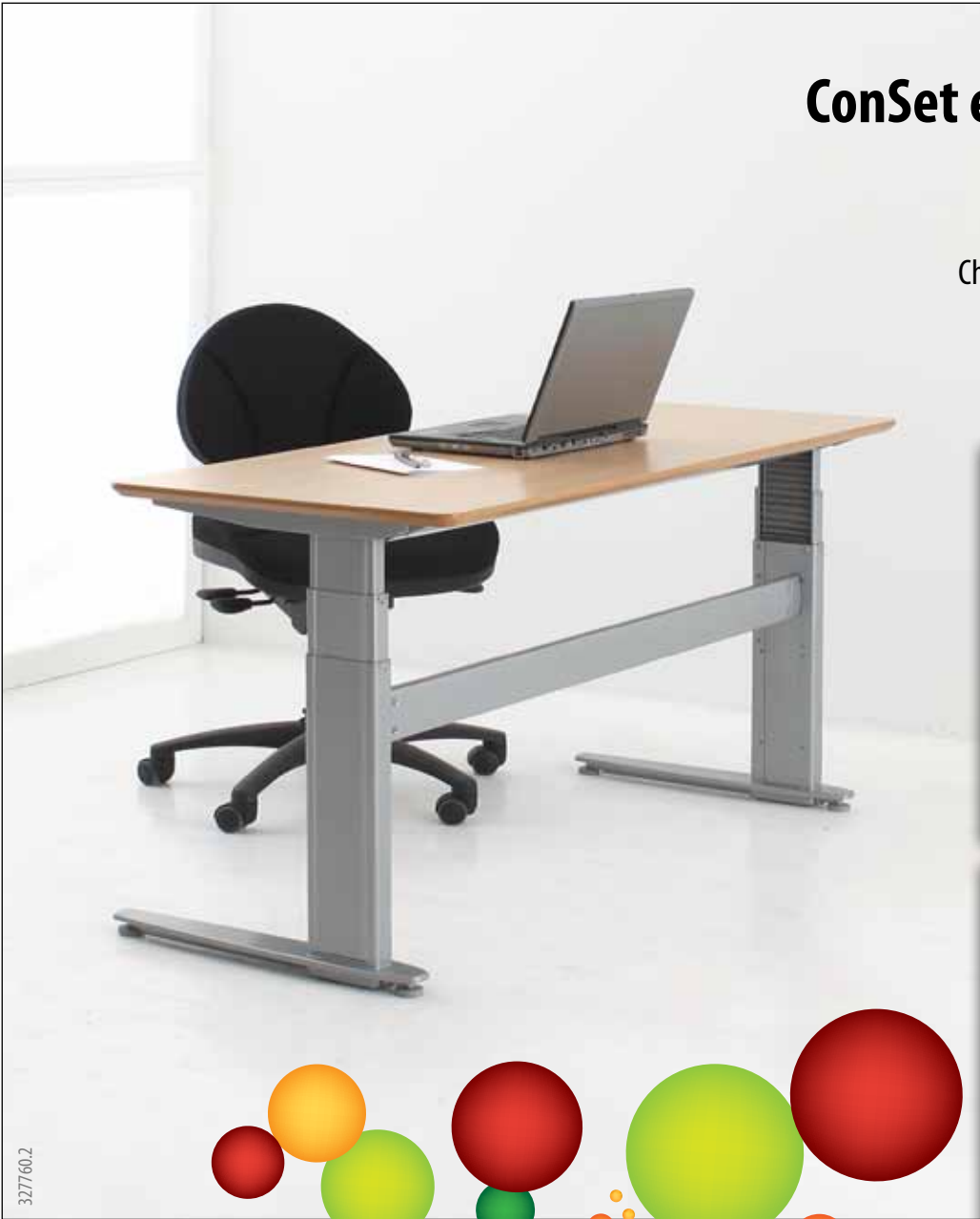


ConSet electric sit-stand desk

Series 501-27

Choose a frame suitable for your required top
Frame available in four different widths
Extremely competitive prices.



Series 501-27

Flexibility is key to the 501-27 series. More sizes, greater weight capacity, increased travel and integrated anti-squeeze system. As industry and customer requirements evolve so does ConSet, and that's why we are constantly engaged in new product development. Never Sitting Still – now that's ConSet.

- Max. working load:** 220 lbs (on frame)
- Speed:** 1.2" per second
- Frame width:** 32 7/8" | 50 7/8" | 56 11/16" | 59 13/16" | 67 3/4"
- Height range:** 22"- 48" (Frame height range: 21"- 47")
- Frame colors:** Silver RAL 9006 | Black RAL 9004

See full specifications and options on backpage.



ConSet America • PO Box 1301 • 225 ElfWay • Pittsboro • NC 27312 • USA
Phone: 800-293-9051 or 919-542-6145 • info@conset.us • www.conset.us

Series 501-27 2-column

Dimensions:

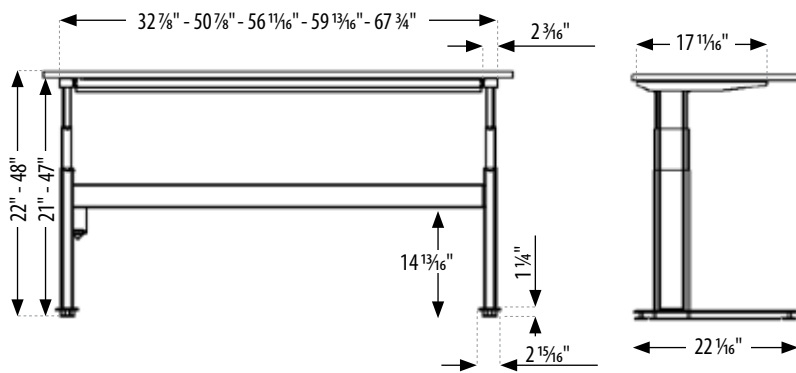
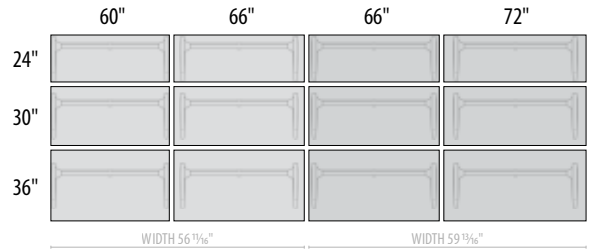
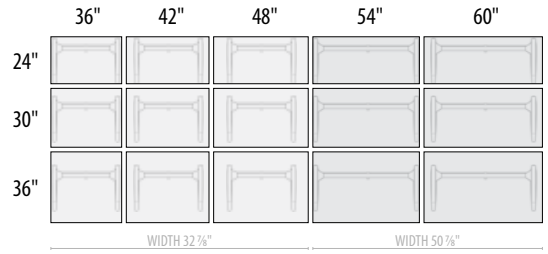
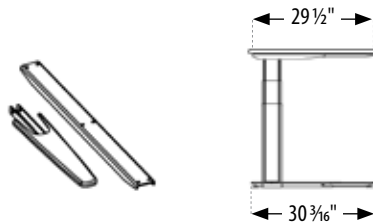


Table tops / cube suitable:

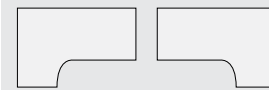


Accessory: 501-27 support extender

Extender leg and support bracket allows for return tops up to 48"



Return tops up to 48"



Series 501-27 3-column

Dimensions:

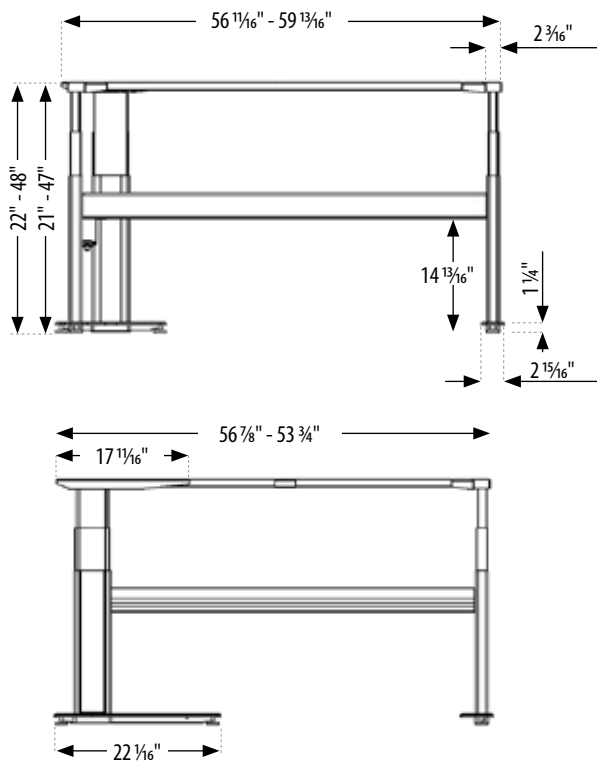


Table tops / cube suitable:

