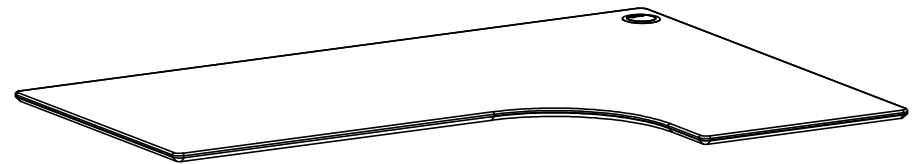
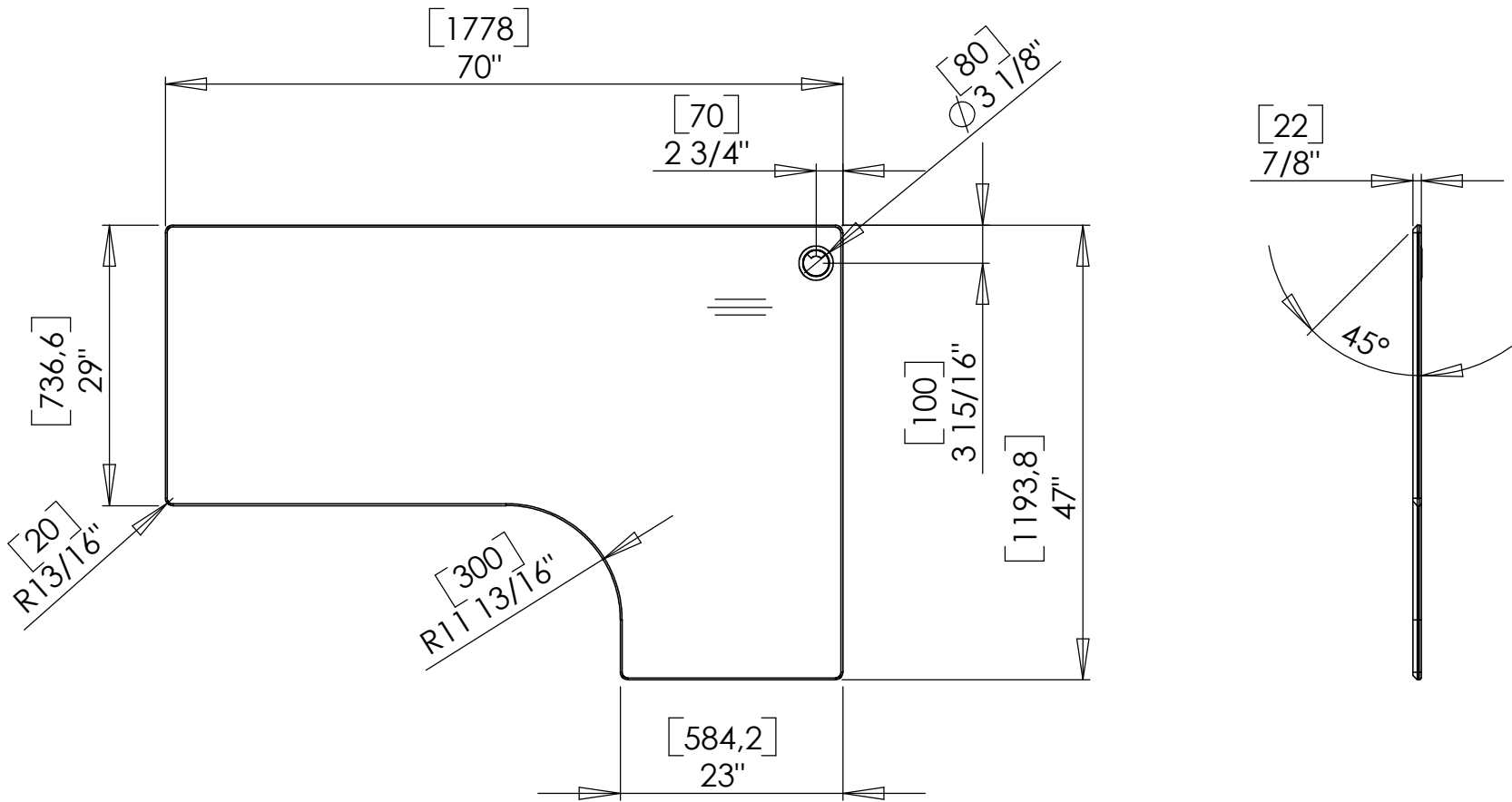
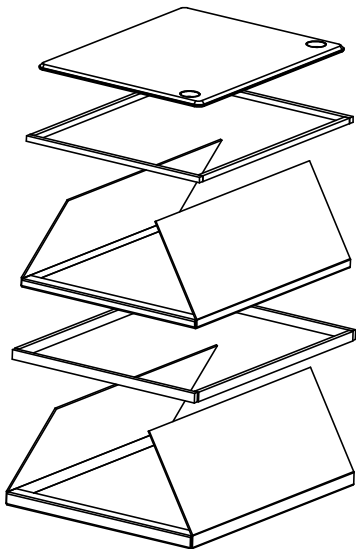


This top is packed into an inner and outer carton for increased protection for shipment by courier.



DO NOT SCALE DRAWING	SHEET 2 OF 2			ConSet A/S Staalvej 14-16 DK-6900 Skjern Denmark
UNLESS OTHERWISE SPECIFIED: DIMENSIONS ARE IN MILLIMETERS TOLERANCES: LINEAR: According to ANGULAR: DIN 7168-m	DRAWN	NAME jo	DATE 20-05-2013	TITLE: Tabletop 72-48R
	CHECKED			DWG NO. 131500
PROPRIETARY AND CONFIDENTIAL THE INFORMATION CONTAINED IN THIS DRAWING IS THE SOLE PROPERTY OF CONSET A/S. ANY REPRODUCTION IN PART OR AS A WHOLE WITHOUT THE WRITTEN PERMISSION OF CONSET A/S IS PROHIBITED.	Processes:		REVISION 0	
	WEIGHT:			