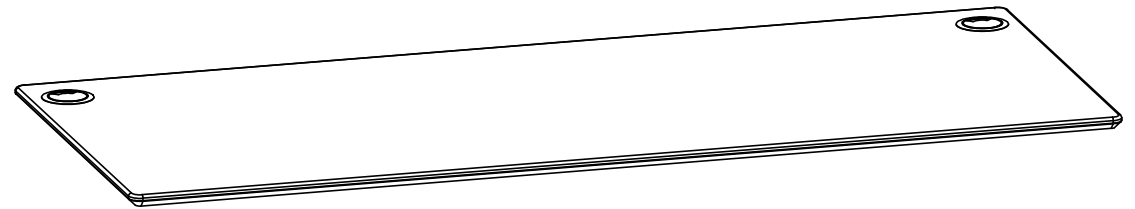
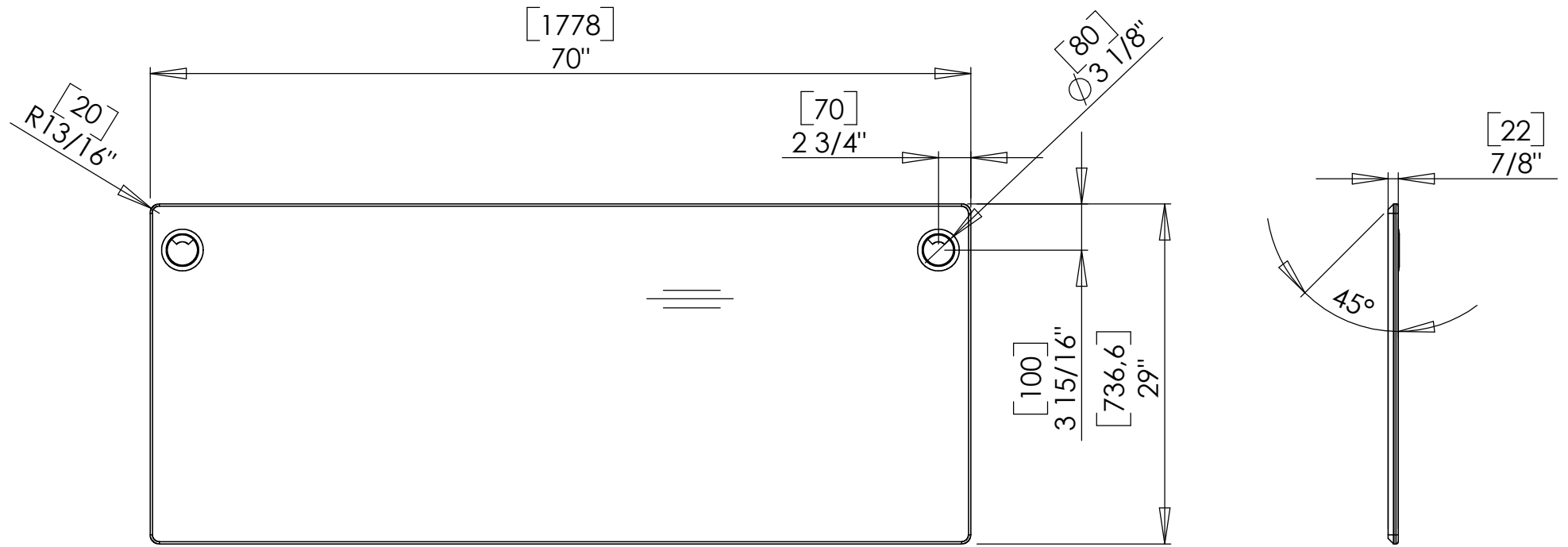
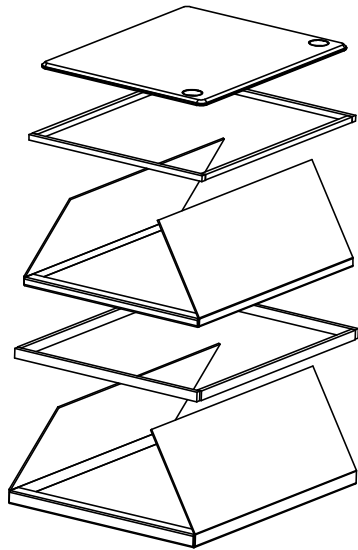


This top is packed into an inner and outer carton for increased protection for shipment by courier.



DO NOT SCALE DRAWING	SHEET 2 OF 2			ConSet A/S Staalvej 14-16 DK-6900 Skjern Denmark
UNLESS OTHERWISE SPECIFIED: DIMENSIONS ARE IN MILLIMETERS TOLERANCES: LINEAR: According to ANGULAR: DIN 7168-m	DRAWN	NAME jo	DATE 15-12-2010	TITLE:  Tabletop 72-30S
	CHECKED			
<b>PROPRIETARY AND CONFIDENTIAL</b> THE INFORMATION CONTAINED IN THIS DRAWING IS THE SOLE PROPERTY OF CONSET A/S. ANY REPRODUCTION IN PART OR AS A WHOLE WITHOUT THE WRITTEN PERMISSION OF CONSET A/S IS PROHIBITED.	Processes:		DWG NO.  124620	REVISION  1
	WEIGHT:			